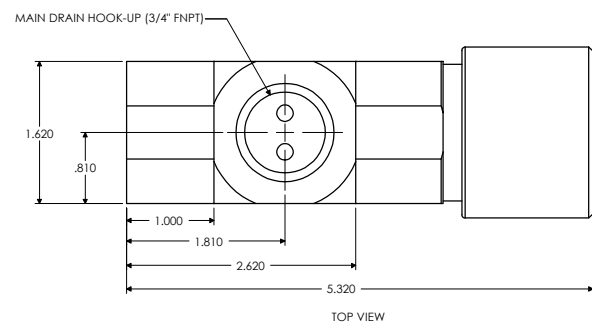
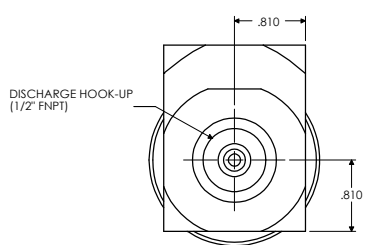


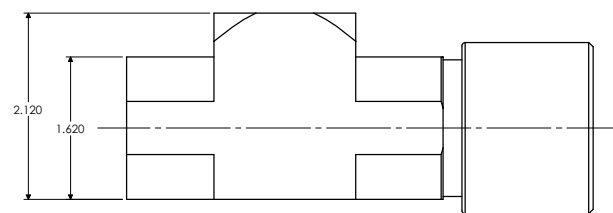
ISOMETRIC VIEW



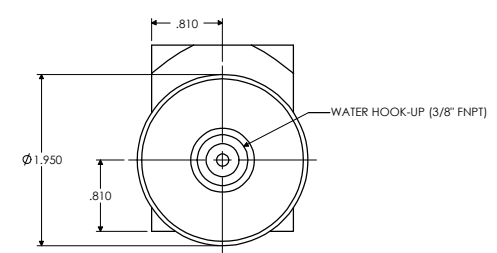
TOP VIEW



LEFT END VIEW



SIDE VIEW



RIGHT END VIEW

SPECIFICATIONS	
DILUTION RATIO	2:1 TO 20:1
VACUUM RATING - MIN/MAX INCHES OF HG	21/27
CITY WATER PRESSURE - MIN/MAX PSIG (kPa)	30/60 (207/414)
MAX TEMPERATURE - MEDIA ° F (° C)	302 (150)
MAX TEMPERATURE - AMBIENT ° F (° C)	212 (100)

PART	MATERIAL
BODY	PTFE
PISTON	PTFE
FITTING	PVDF
O-RINGS	VITON
SPRING	TEFLON COATED 302 SS

O-RINGS	QTY
AS568A-016	3
AS568A-022	1
AS568A-026	1

TOLERANCES UNLESS OTHERWISE SPECIFIED		DYTEC		102 COMPASS PT. DR. STE. D. ST. CHARLES, MO. 63301-4414 (636) 949-5600					
WDV-XX12P-TFE-V VALVE PHYSICAL DIMENSIONS									
APPROVAL		DWN BY	MPJ	DATE	07/11/02	SCALE	1=1	CHKD BY	
ENG	GA	DATE		SHEET	1 of 1	44	0002385	30	00
PATH -E:\CC\DYTEC\WDV-XX12P-TFE-VP.SLDRW									