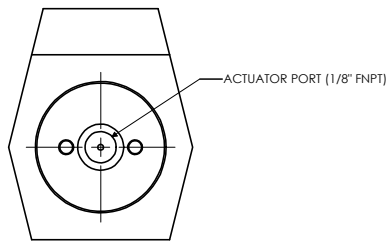
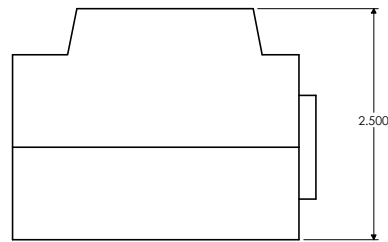


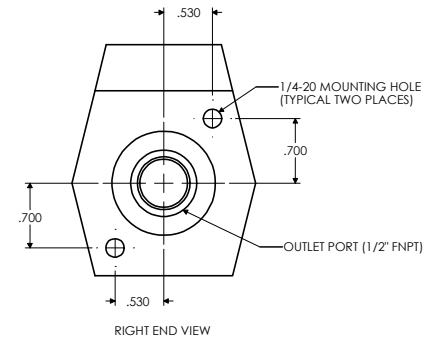
ISOMETRIC VIEW



LEFT END VIEW



SIDE VIEW



RIGHT END VIEW

SPECIFICATIONS	
Cv	2.8
MAX PRESSURE - INLET PORT PSIG (kPA)	75 (517)
MAX PRESSURE - OUTLET PORT PSIG (kPA)	40 (276)
ACTUATOR PRESSURE - MIN/MAX PSIG (kPA)	50/80 (345/552)
MAX TEMPERATURE - MEDIA ° F (° C)	350 (177)
MAX TEMPERATURE - AMBIENT ° F (° C)	140 (60)

O-RINGS	QTY
AS568A-011	1
AS568A-025	2
AS568A-210	1

PART	MATERIAL
BODY	PTFE
BELLOWS	PTFE
BACKING PLATE	PTFE
PISTON	PVDF
END CAP	POLYPROPYLENE
O-RINGS	VITON
SPRING	TEFLON COATED, 302 S.S.

TOLERANCES UNLESS OTHERWISE SPECIFIED			
ALL DIMENSIONS ARE IN INCHES	ENG	DATE	GA
PATH = E:\C.C\DYTEC\TPV-208P-TFE-VF.SLDDRW	GA	DATE	DATE

DYTEC		102 COMPASS PT. DR. STE. D. ST. CHARLES, MO. 63301-4414 (636) 949-5600	
TPV-208P-TFE-V VALVE PHYSICAL DIMENSIONS			
APPROVAL	DWN	W/FJ	DATE 04/27/02
SCALE 1=1	C=RD	BY	
1 OF 1	44	0002381	30 00