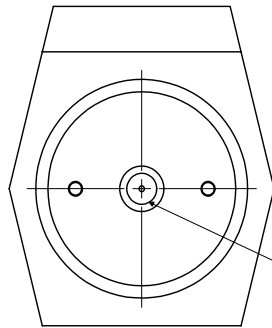
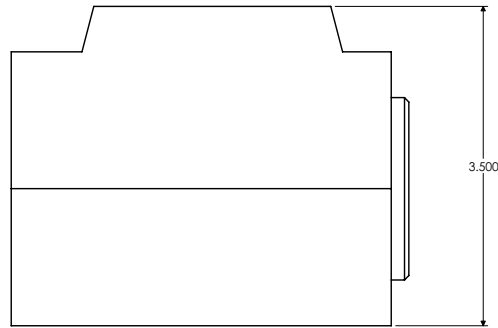


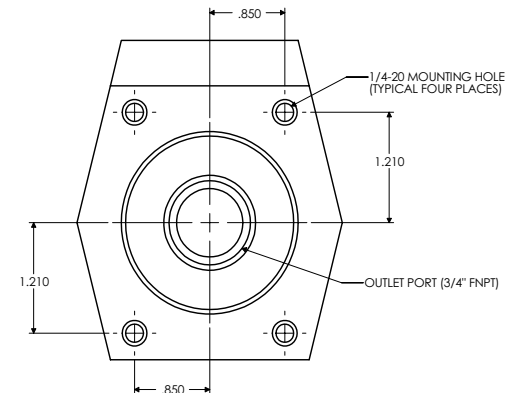
ISOMETRIC VIEW



LEFT END VIEW



SIDE VIEW



RIGHT END VIEW

SPECIFICATIONS	
Cv	7.5
MAX PRESSURE - INLET PORT PSIG (kPA)	60 (414)
MAX PRESSURE - OUTLET PORT PSIG (kPA)	10 (69)
ACTUATOR PRESSURE - MIN/MAX PSIG (kPA)	50/80 (345/552)
MAX TEMPERATURE - MEDIA* F (°C)	302 (150)
MAX TEMPERATURE - AMBIENT* F (°C)	140 (60)

PART	MATERIAL
BODY	PTFE
BELLOWS	PTFE
BACKING PLATE	PTFE
PISTON	PVDF
ENDCAP	POLYPROPYLENE
O-RINGS	VITON
SPRING	TEFLON COATED, 302 S.S.

O-RINGS	QTY
AS568A-112	1
AS568A-133	2
AS568A-218	1

TOLERANCES UNLESS OTHERWISE SPECIFIED		DYTEC		102 COMPASS PT. DR. STE. D. ST. CHARLES, MO. 63301-4414 (636) 949-5600	
TPV-2012P-TFE-V VALVE PHYSICAL DIMENSIONS					
APPROVAL		DWN	MPJ	DATE 11/25/02	SCALE 1=1
ENG	DATE	BY			CRD
GA	DATE	1 OF 1	44	0002410	30 00
PAIN = E:\CC\DYTEC\VPV-2012P-TFE-VP-3L2DREV					