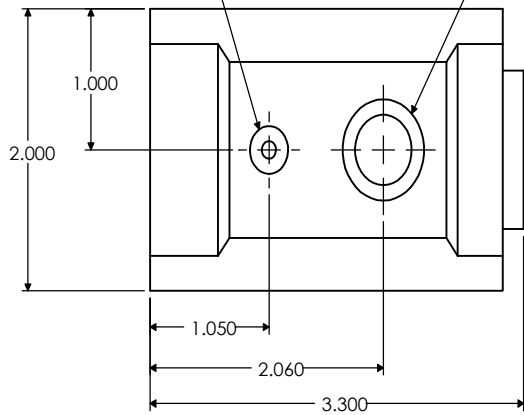
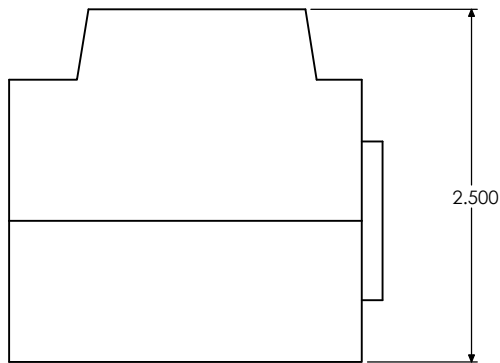


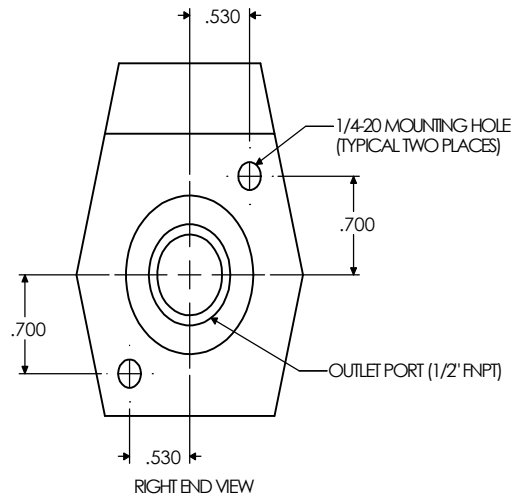
ACTUATOR PORT (1/8" FNPT) INLET PORT (1/2" FNPT)



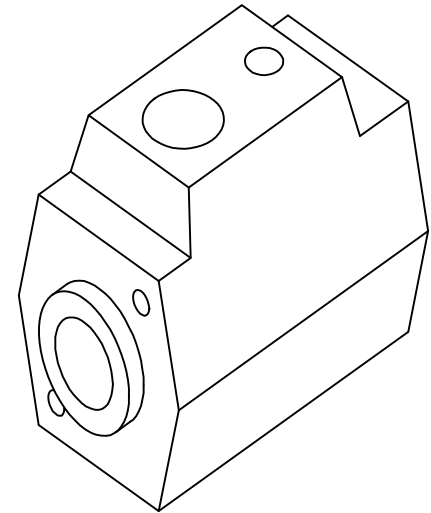
TOP VIEW



SIDE VIEW



RIGHT END VIEW



ISOMETRIC VIEW

PART	MATERIAL
BODY	PTFE
BELLOWS	PTFE
BACKING PLATE	PTFE
PISTON	PVDF
END CAP	POLYPROPYLENE
O-RINGS	VITON
SPRING	TEFLON COATED, 302 S.S.

SPECIFICATIONS	
Cv	2.8
MAX PRESSURE - INLET PORT PSIG (kPA)	75 (517)
MAX PRESSURE - OUTLET PORT PSIG (kPA)	45 (310)
ACTUATOR PRESSURE - MIN/MAX PSIG (kPA)	50/80 (345/552)
MAX TEMPERATURE - MEDIA °F (°C)	350 (177)
MAX TEMPERATURE - AMBIENT °F (°C)	140 (60)

O-RINGS	QTY
AS568A-011	1
AS568A-025	2
AS568A-210	1

TOLERANCES UNLESS OTHERWISE SPECIFIED

ALL DIMENSIONS ARE IN INCHES

PATH = E:\CC\DYTEC\TPV2C8P6.DRW

DYTEC

102 COMPASS PT. DR. STE. D.
ST. CHARLES, MO. 63301-4414
(636) 949-5600

TPV-2C8P-TFE-V VALVE PHYSICAL DIMENSIONS

APPROVAL		DWN BY	MPJ	DATE	SCALE	CHFD BY
BVC	DATE					
GA	DATE			01/08/02	1=1	
SHEET		1 OF 1		44	000205	20 06