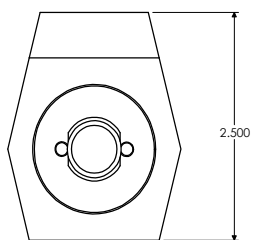
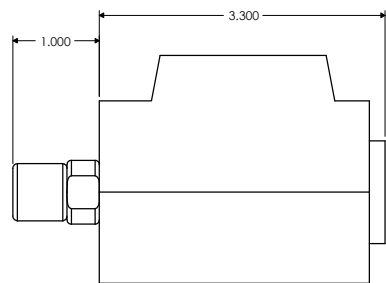


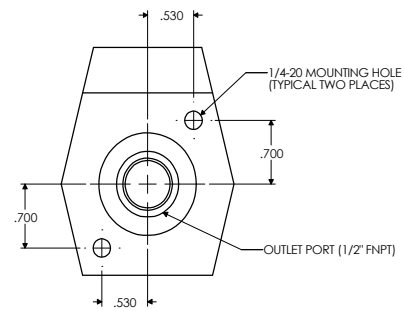
ISOMETRIC VIEW



LEFT END VIEW



SIDE VIEW



RIGHT END VIEW

PART	MATERIAL
BODY	PTFE
BELLOWS	PTFE
BACKING PLATE	PTFE
PISTON	PVDF
END CAP	POLYPROPYLENE
ADJUSTMENT ROD	316 STAINLESS STEEL
INTERNAL NUT	316 STAINLESS STEEL
EXTERNAL NUT	POLYPROPYLENE
KNOB	POLYPROPYLENE
O-RINGS	VITON
SPRING	TEFLON COATED, 302 STAINLESS STEEL

TOLERANCES UNLESS OTHERWISE SPECIFIED

DYTEC

102 COMPASS PT. DR. STE. D.
ST. CHARLES, MO. 63301-4414
(636) 949-5600

TPV-2C8P-TFE-V-RC VALVE PHYSICAL DIMENSIONS

APPROVAL		DWN	MPJ	DATE	03/02/01	SCALE	1=1	CHKD
BRG	DAE	BY						BY
GA	DAE	SHEET	1 of 1	44	0002152	30	02	

ALL DIMENSIONS ARE IN INCHES

PATH = E:\CC\DYTEC\TPBPRCP2.DRW