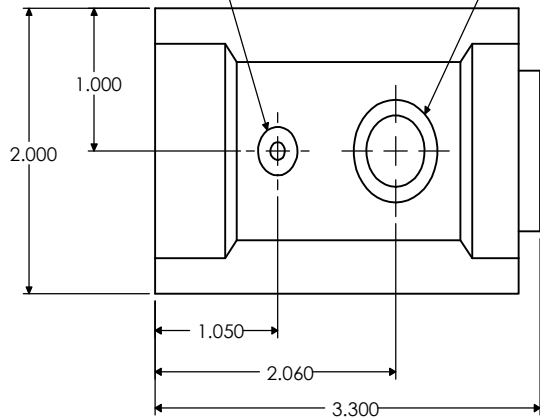
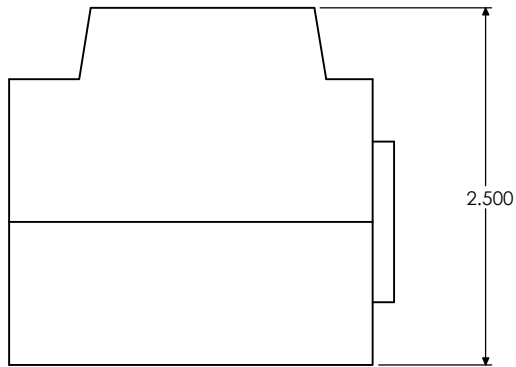


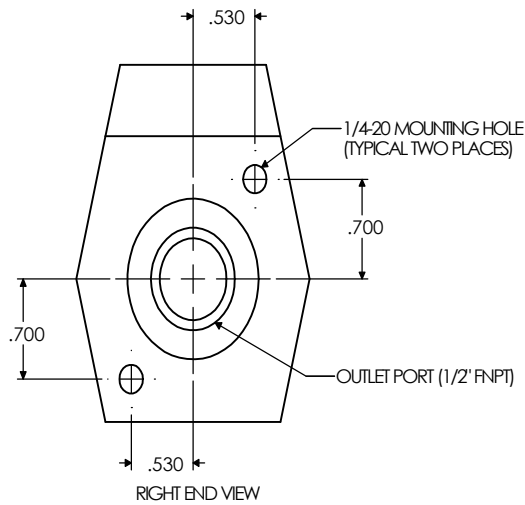
ACTUATOR PORT (1/8" FNPT) INLET PORT (1/2" FNPT)



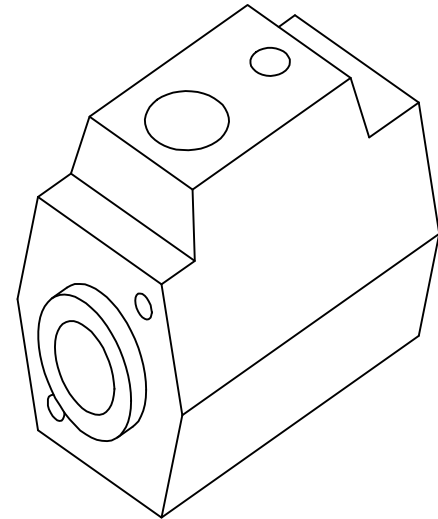
TOP VIEW



END VIEW



RIGHT END VIEW



ISOMERIC VIEW

PART	MATERIAL
BODY	PTFE
BELLOWS	PTFE
BACKING PLATE	PTFE
PISTON	PVDF
END CAP	POLYPROPYLENE
O-RINGS	EPDM
SPRING	TEFLON COATED, 302 S.S.

SPECIFICATIONS	
Cv	2.8
MAX PRESSURE - INLET PORT PSIG (kPA)	75 (517)
MAX PRESSURE - OUTLET PORT PSIG (kPA)	40 (276)
ACTUATOR PRESSURE - MIN/MAX PSIG (kPA)	40/80 (276/552)
MAX TEMPERATURE - MEDIA °F (°C)	350 (177)
MAX TEMPERATURE - AMBIENT °F (°C)	140 (60)

TOLERANCES UNLESS OTHERWISE SPECIFIED

ALL DIMENSIONS ARE IN INCHES

PATH = E:\CC\DYTEC\T208PEP.DRW

DYTEC 102 COMPASS PT. DR. STE. D.
ST. CHARLES, MO. 63301-4414
(636) 949-5600

TPV-28CP-TFE VALVE PHYSICAL DIMENSIONS

APPROVAL		DWN BY		DATE	SCALE	CHKD BY
ENG	DATE	MPJ	MPJ	03/09/01	1=1	
QA	DATE					
SHEET 1 OF 1		44	0002266	20	00	