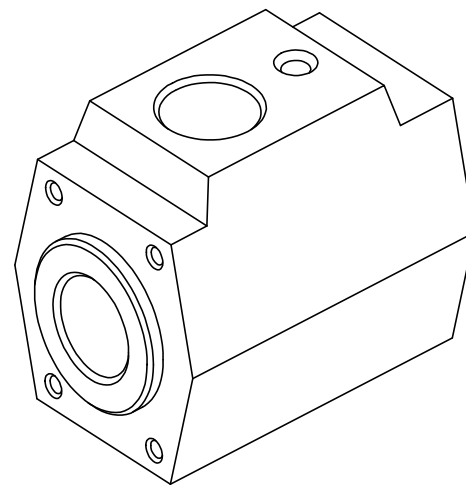
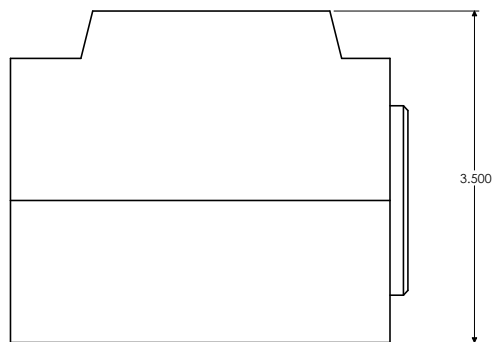


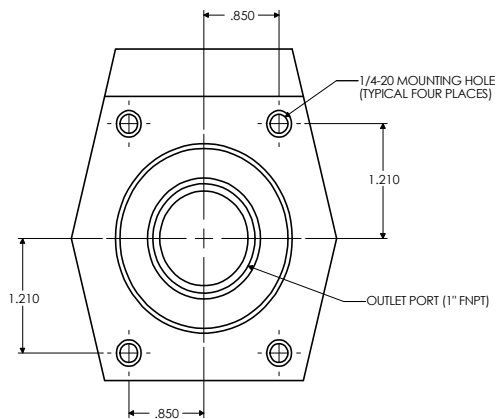
TOP VIEW



ISOMETRIC VIEW



SIDE VIEW



RIGHT END VIEW

PART	MATERIAL
BODY	PTFE
BELLOWS	PTFE
BACKING PLATE	PTFE
PISTON	PTFE
END CAP	POLYPROPYLENE
O-RINGS	VITON
SPRING	TEFLON COATED 302 STAINLESS STEEL

SPECIFICATIONS	
Cv	7.5
MAX PRESSURE - INLET PORT PSIG (kPA)	60 (414)
MAX PRESSURE - OUTLET PORT PSIG (kPA)	10 (69)
ACTUATOR PRESSURE - MIN/MAX PSIG (kPA)	50/80 (345/552)
MAX TEMPERATURE - MEDIA °F (°C)	302 (150)
MAX TEMPERATURE - AMBIENT °F (°C)	140 (60)

O-RING	QTY
AS568A-112	1
AS568A-133	2
AS568A-218	1

TOLERANCES UNLESS OTHERWISE SPECIFIED

ALL DIMENSIONS ARE IN INCHES

PATH = E:\CC\DYTEC\T2C16P1.DRW

DYTEC 102 COMPASS PT. DR. STE. D.
ST. CHARLES, MO. 63301-4414
(636) 949-5600

TPV-2C16P-TFE-V VALVE PHYSICAL DIMENSIONS

APPROVAL		DATE		DOWN BY	MPJ	DATE	10/3/00	SCALE	1=1	CHECK BY
ENG	DATE	DATE		SHEET						
QA	DATE			1 OF 1			44	000291		30 01