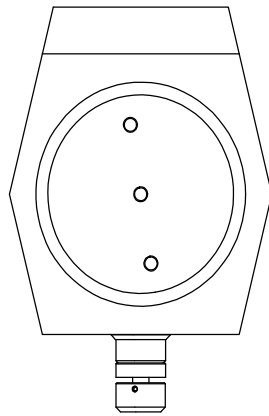
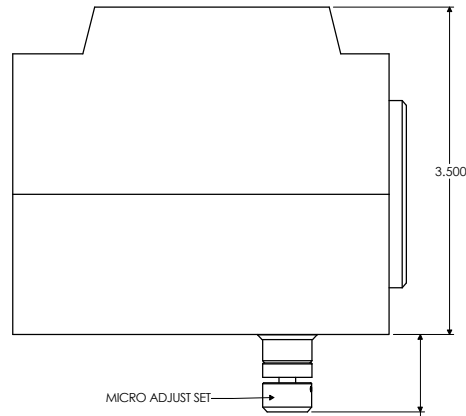


ISOMETRIC VIEW



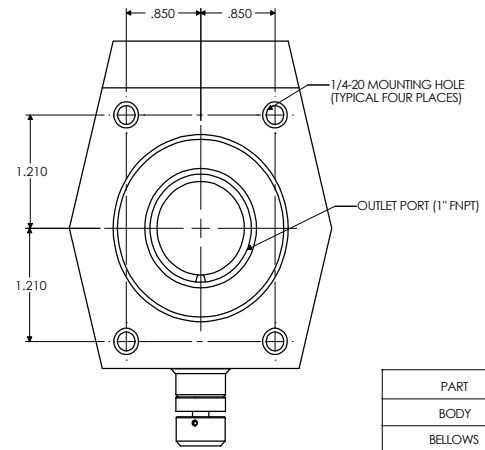
LEFT END VIEW



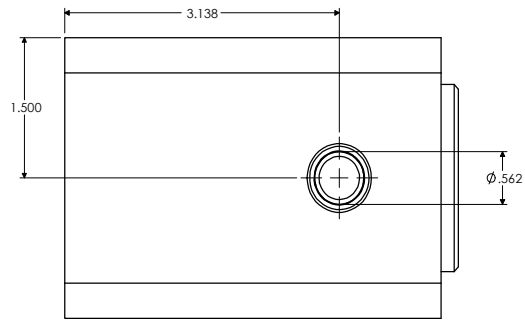
MICRO ADJUST SET

SIDE VIEW

FULL CLOSED = .722
FULL OPEN = .8500



RIGHT END VIEW



BOTTOM VIEW

| PART | MATERIAL |
|----------------------|-----------------------------------|
| BODY | PTFE |
| BELLOWS | PTFE |
| BACKING PLATE | PTFE |
| PISTON | PTFE |
| END CAP | POLYPROPYLENE |
| SPRING | TEFLON COATED 316 STAINLESS STEEL |
| O-RINGS | VITON |
| MICRO ADJUST FERRULE | PTFE |
| MICRO ADJUST SET | POLYPROPYLENE WITH PTFE NEEDLE |

TOLERANCES UNLESS OTHERWISE SPECIFIED

DYTEC

102 COMPASS PT. DR. STE. D.
ST. CHARLES, MO. 63301-4414
(636) 949-5600

TPV-2C16P-TFE-V-MA VALVE PHYSICAL DIMENSIONS

ALL DIMENSIONS ARE IN INCHES

PATH = E:\CC\DYTEC\12C16MP1.DRW

| APPROVAL | DATE | DWN BY | MPJ | DATE 10/3/00 | SCALE 1=1 | CHD BY |
|----------|------|--------|-----|--------------|-----------|--------|
| QA | DATE | 1 OF 1 | 44 | 000299 | 30 | 01 |