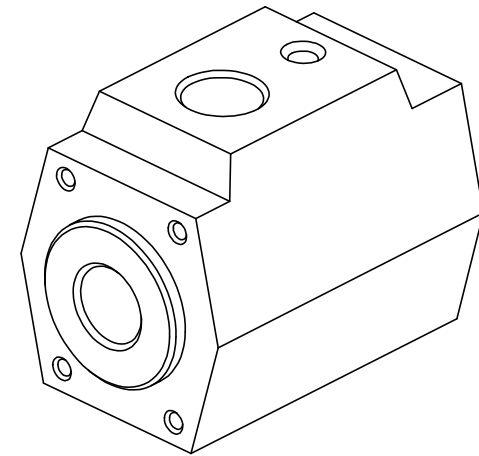
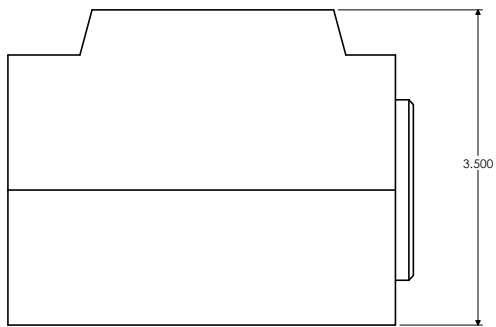


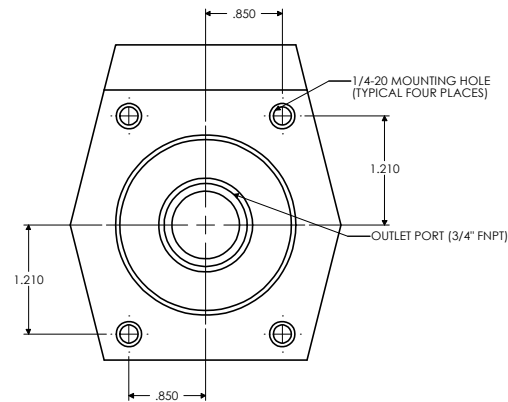
TOP VIEW



ISOMETRIC VIEW



SIDE VIEW



RIGHT END VIEW

PART	MATERIAL
BODY	PTFE
BELLOWS	PTFE
BACKING PLATE	PTFE
PISTON	PTFE
END CAP	POLYPROPYLENE
O-RINGS	VITON
SPRING	TEFLON COATED 316 STAINLESS STEEL

TOLERANCES UNLESS OTHERWISE SPECIFIED

ALL DIMENSIONS ARE IN INCHES

PATH = E:\CC\DYTEC\12C\12P1.DRW

DYTEC

102 COMPASS PT. DR. STE. D.
ST. CHARLES, MO. 63301-4414
(636) 949-5600

TPV-2C12P-TFE-V VALVE PHYSICAL DIMENSIONS

APPROVAL		OWN	DATE	SCALE	CHRD
ENG	DATE	BY	MPJ	1=1	BY
GA	DATE	1	44	000292	30 01