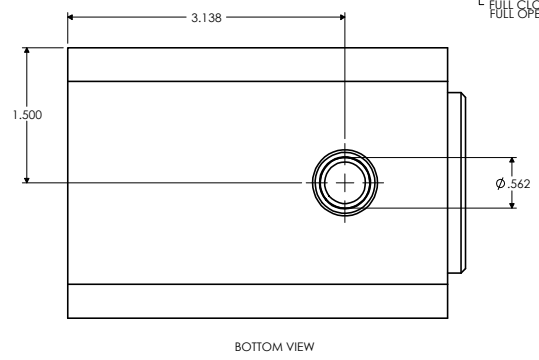


PART	MATERIAL
BODY	PTFE
BELLOWS	PTFE
BACKING PLATE	PTFE
PISTON	PTFE
END CAP	POLYPROPYLENE
SPRING	TEFLON COATED 316 STAINLESS STEEL
O-RINGS	VITON
MICRO ADJUST FERRULE	PTFE
MICRO ADJUST SET	POLYPROPYLENE WITH PTFE NEEDLE



TOLERANCES UNLESS OTHERWISE SPECIFIED

DYTEC 102 COMPASS PT. DR. STE. D.
ST. CHARLES, MO. 63301-4414
(636) 949-5600

TPV-2C12P-TFE-V-MA VALVE PHYSICAL DIMENSIONS

APPROVAL	DATE	BY	DATE	SCALE	CHKD
ENG	DATE	BY	DATE	SCALE 1=1	CHKD
QA	DATE	1 OF 1	44	000296	30 01

ALL DIMENSIONS ARE IN INCHES

PATH = E:\C\C\DYTEC\12C12MP1.DRW