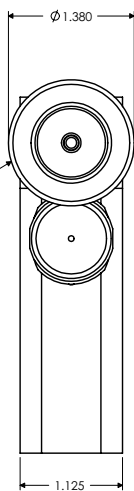
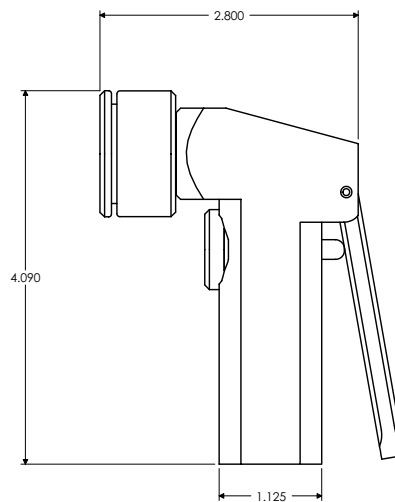


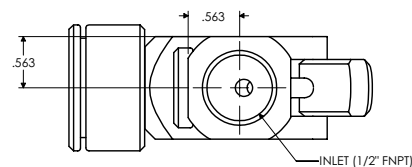
FILTER HOUSING WITH REPLACABLE CO-POLYMER FILTER
(PART NUMBER FY01-N201)



FRONT VIEW



SIDE VIEW



BOTTOM VIEW

PART	MATERIAL
BODY	VIRGIN PTFE
ACTUATOR	POLYPROPYLENE
ACTUATOR CAP	POLYPROPYLENE
FILTER HOUSING	POLYPROPYLENE
HANDLE	POLYPROPYLENE
HANDLE DOWEL PIN	18-8 STAINLESS STEEL
SPRING	302 SS, TEFLON COATED
O-RINGS	VITON

SPECIFICATIONS	
FLOW RATE - SCFM @ 60PSI	2.0
MAX PRESSURE - PSIG (kPa)	90 (621)
MAX TEMPERATURE - MEDIA °F (°C)	160 (71)

O-RINGS	QTY
AS568A-009	1
AS568A-012	1
AS568A-114	1

TOLERANCES UNLESS OTHERWISE SPECIFIED	DYTEC		102 COMPASS PT. DR. STE. D. ST. CHARLES, MO. 63301-4414 (636) 949-5600						
			THG-NR8P-TFE-V TEFLON N ₂ SPRAY GUN - RIGHT ANGLE PHYSICAL DIMENSIONS						
APPROVAL		DWN BY	MPJ	DATE	03/31/03	SCALE	1=1	CHRD BY	
ALL DIMENSIONS ARE IN INCHES	ENG	DATE	GA	DATE	1 OF 1	44	0002440	30	00
PATH HE:\CC\DYTEC\THG-NR8P-TFE-V\PHYSICAL.DWG									