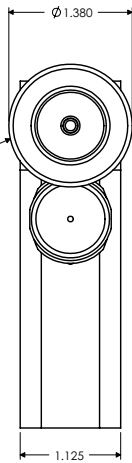
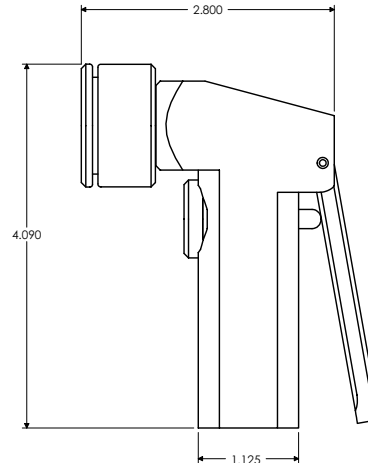


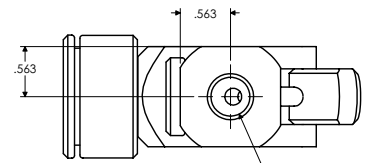
FILTER HOUSING WITH REPLACABLE CO-POLYMER FILTER  
(PART NUMBER FY01-N201)



FRONT VIEW



SIDE VIEW



BOTTOM VIEW  
INLET (1/4" FNPT)

PART	MATERIAL
BODY	VIRGIN PTFE
ACTUATOR	POLYPROPYLENE
ACTUATOR CAP	POLYPROPYLENE
FILTER HOUSING	POLYPROPYLENE
HANDLE	POLYPROPYLENE
HANDLE DOWEL PIN	18-8 STAINLESS STEEL
SPRING	302 SS, TEFLON COATED
O-RINGS	VITON

SPECIFICATIONS	
FLOW RATE - SCFM @ 60PSI	2.0
MAX PRESSURE - PSIG (kPa)	90 (621)
MAX TEMPERATURE - MEDIA°F (°C)	160 (71)

O-RINGS	QTY
AS568A-009	1
AS568A-012	1
AS568A-114	1

TOLERANCES UNLESS OTHERWISE SPECIFIED		<b>DYTEC</b>		102 COMPASS PT. DR. STE. D. ST. CHARLES, MO. 63301-4414 (636) 949-5600	
THG-NR4P-TFE-V TEFLON N <sub>2</sub> SPRAY GUN - RIGHT ANGLE PHYSICAL DIMENSIONS					
APPROVAL		DATE	DWN BY	MPJ	DATE
ENG	DATE	GA	DATE	1 OF 1	44
ALL DIMENSIONS ARE IN INCHES		SCALE	1=1	TRD BY	30 00
PAIN: X:\C\C\DYTEC\THG-NR4P-TE-V-PHYSICAL.DWG		GA	DATE	1 OF 1	44 0002444 30 00