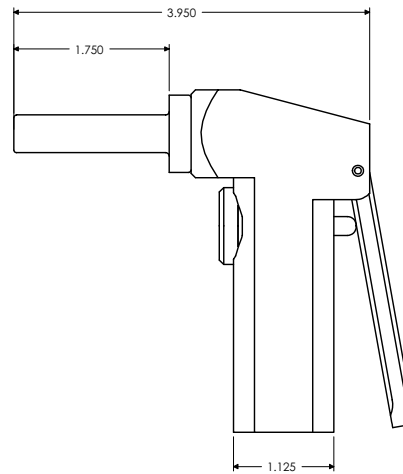
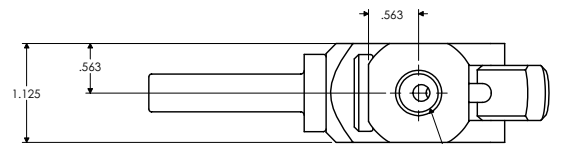


FRONT VIEW



SIDE VIEW



BOTTOM VIEW

PART	MATERIAL
BODY	VIRGIN PTFE
ACTUATOR	PVDF
ACTUATOR CAP	POLYPROPYLENE
NOZZLE	PTFE
HANDLE	POLYPROPYLENE
HANDLE DOWEL PIN	18-8 STAINLESS STEEL
SPRING	302 SS, TEFLON COATED
O-RINGS	VITON

SPECIFICATIONS	
FLOW RATE - GPM @ 20PSI	1.3
MAX PRESSURE - PSIG (kPa)	75 (517)
MAX TEMPERATURE - MEDIA ^o F (°C)	160 (71)

O-RINGS	QTY
AS568A-009	1
AS568A-012	1
AS568A-114	1

TOLERANCES UNLESS OTHERWISE SPECIFIED					
ALL DIMENSIONS ARE IN INCHES					
ENGR	DATE	DWY	MPJ	DATE	SCALE
GA	DATE	1 OF 1	44	0002450	30 00

DYTEC 102 COMPASS PT. DR. STE. D.
ST. CHARLES, MO. 63301-4414
(636) 949-5600

THG-LD4P-TFE-V TEFLON LIQUID DISPENSE GUN
PHYSICAL DIMENSIONS

APPROVAL	DWY	MPJ	DATE	SCALE	1-1	CHD	BY
			04/03/03				