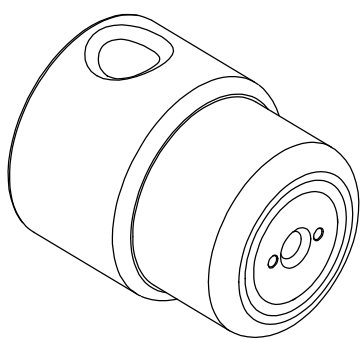
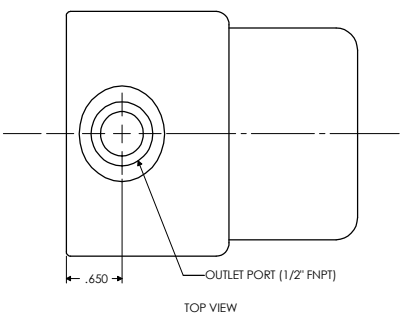
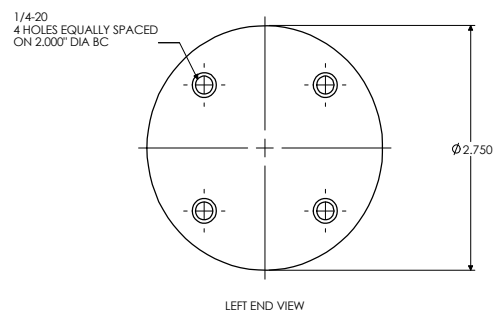


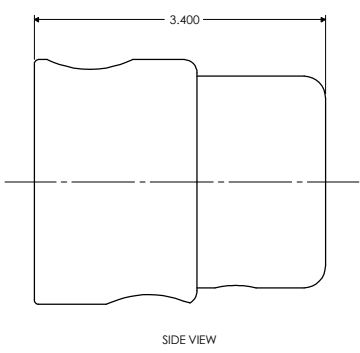
A B C D E



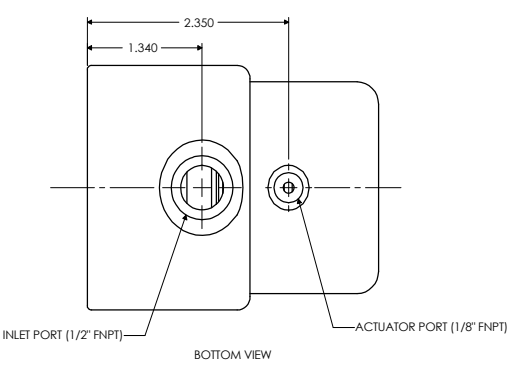
ISOMETRIC VIEW



LEFT END VIEW



SIDE VIEW



BOTTOM VIEW

PART	MATERIAL
BODY	POLYPROPYLENE
BELLOWS	PTFE
BACKING PLATE	PTFE
PISTON	POLYPROPYLENE
END CAP	POLYPROPYLENE
SPRING	302 STAINLESS STEEL
O-RINGS	VITON

O-RINGS	QTY
AS568A-011	1
AS568A-025	2
AS568A-210	1

SPECIFICATIONS	
Cv	2.8
MAX PRESSURE - INLET PORT PSIG (kPA)	75 (517)
MAX PRESSURE - OUTLET PORT PSIG (kPA)	45 (311)
ACTUATOR PRESSURE - MIN/MAX PSIG (kPA)	40/80 (276/552)
MAX TEMPERATURE - MEDIA °F (°C)	
PVC	140 (60)
POLYPROPYLENE	160 (71)
PVDF	212 (100)
PTFE	350 (177)
MAX TEMPERATURE - AMBIENT °F (°C)	140 (60)

TOLERANCES UNLESS OTHERWISE SPECIFIED		DYTEC		102 COMPASS PT. DR. STE. D. ST. CHARLES, MO. 63301-4414 (636) 949-5600	
MPV-208P-POL-V VALVE PHYSICAL DIMENSIONS					
APPROVAL		ENGR	MPJ	DATE 07/15/02	SCALE 1=1
ENG	DATE	SHEET		44	0002392
ALL DIMENSIONS ARE IN INCHES		GA	DATE	1 of 1	30 00
PATH: E:\CC\DYTEC\MPV-208P-POL-V\SLDORW					

A B C D E