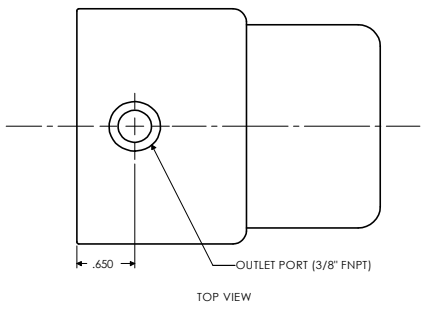
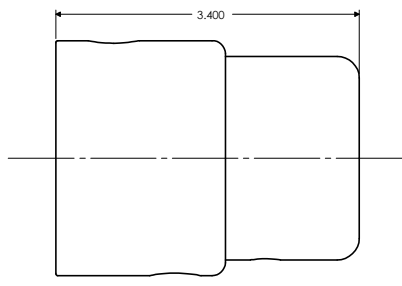


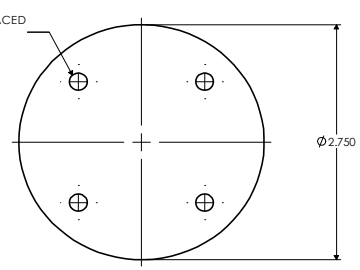
ISOMETRIC VIEW



TOP VIEW

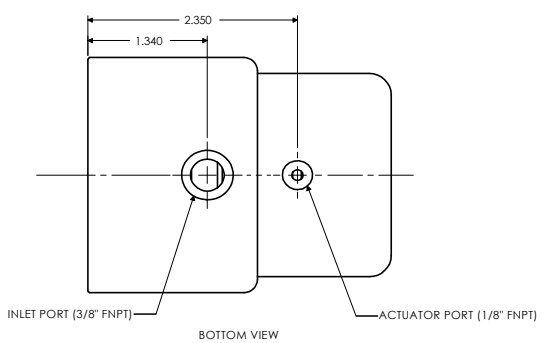


SIDE VIEW



LEFT END VIEW

1/4-20
4 HOLES EQUALLY SPACED
ON 2.000" DIA BC



BOTTOM VIEW

PART	MATERIAL
BODY	POLYPROPYLENE
BELLOWS	PTFE
BACKING PLATE	PTFE
PISTON	POLYPROPYLENE
END CAP	POLYPROPYLENE
SPRING	302 STAINLESS STEEL
O-RINGS	VITON

O-RINGS	QTY
AS568A-011	1
AS568A-025	2
AS568A-210	1

SPECIFICATIONS	
Cv	2.8
MAX PRESSURE - INLET PORT PSIG (kPA)	75 (517)
MAX PRESSURE - OUTLET PORT PSIG (kPA)	45 (311)
ACTUATOR PRESSURE - MIN/MAX PSIG (kPA)	40/80 (276/552)
MAX TEMPERATURE - MEDIA °F (°C)	
PVC	140 (60)
POLYPROPYLENE	160 (71)
PVDF	212 (100)
PTFE	350 (177)
MAX TEMPERATURE - AMBIENT °F (°C)	140 (60)

TOLERANCES UNLESS OTHERWISE SPECIFIED

ALL DIMENSIONS ARE IN INCHES

PA1W-EX1CC\DYTEC\MPV-206P-POL-VP.SLDDRW

DYTEC 102 COMPASS PT. DR. STE. D.
ST. CHARLES, MO. 63301-4414
(636) 949-5600

MPV-206P-POL-V VALVE PHYSICAL DIMENSIONS

APPROVAL		SWN	MPJ	DATE	SCALE	CHD
ENG	DATE	BY		07/16/02	1=1	BY
GA	DATE	1 of 1	44	0002395	30	00