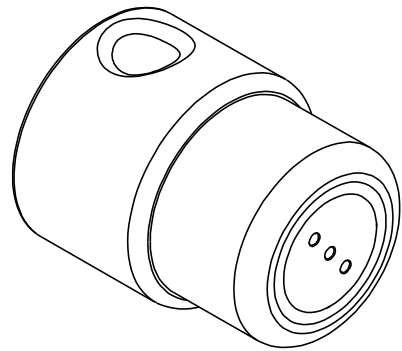
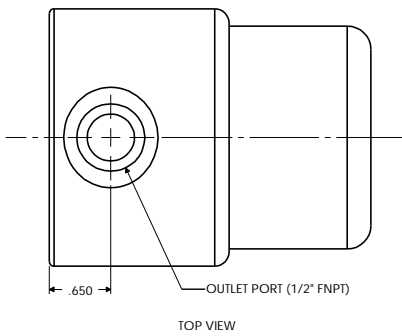
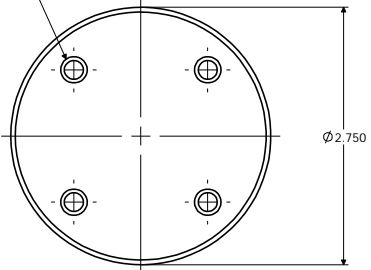


A B C D E

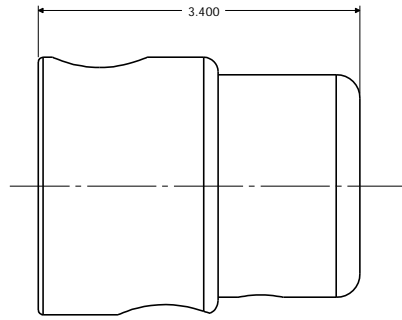


ISOMETRIC VIEW

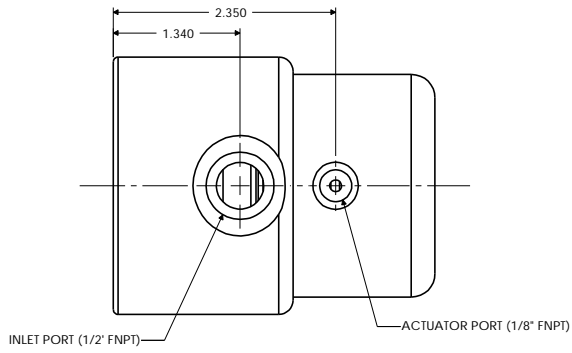
1/4-20
4 HOLES EQUALLY SPACED
ON 2.000" DIA BC



LEFT END VIEW



SIDE VIEW



BOTTOM VIEW

PART	MATERIAL
BODY	PVDF
BELLOWS	PTFE
BACKING PLATE	PTFE
PISTON	PVDF
END CAP	PVDF
SPRING	316 STAINLESS STEEL TEFLON COATED
O-RINGS	VITON

SPECIFICATIONS	
Cv	2.8
MAX PRESSURE - INLET PORT PSIG (kPA)	75 (517)
MAX PRESSURE - OUTLET PORT PSIG (kPA)	45 (311)
ACTUATOR PRESSURE - MIN/MAX PSIG (kPA)	40/80 (276/552)
MAX TEMPERATURE - MEDIA °F (°C)	
PVC	140 (60)
POLYPROPYLENE	160 (78)
PVDF	212 (100)
PTFE	350 (177)
MAX TEMPERATURE - AMBIENT °F (°C)	140 (60)

TOLERANCES UNLESS OTHERWISE SPECIFIED

ALL DIMENSIONS ARE IN INCHES

PATH - E:\CC\DYTEC\M2C8BP.DRW

DYTEC 102 COMPASS PT. DR. STE. D.
ST. CHARLES, MO. 63301-4414
(636) 949-5600

MPV-2C8P-PVD-V VALVE PHYSICAL DIMENSIONS

APPROVAL		DWN BY	MPJ	DATE	09/21/01	SCALE	1=1	CHKD BY
ENG	DATE	SHEET	1 OF 1	44	0002295	30	00	

A B C D E