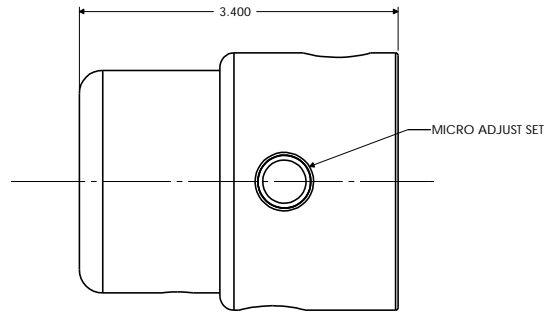
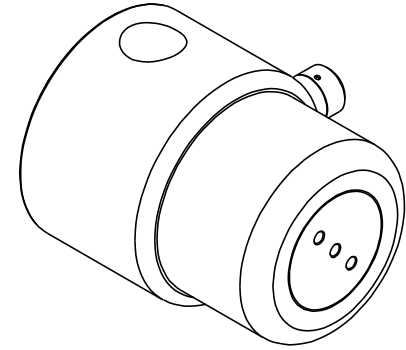
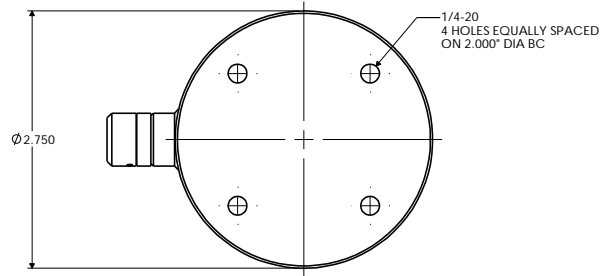


TOP VIEW

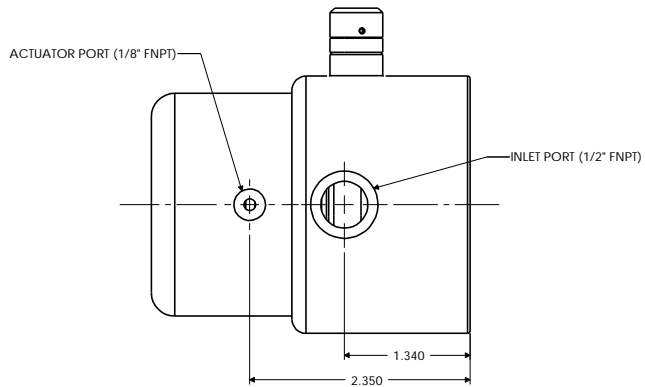


SIDE VIEW



RIGHT END VIEW

PART	MATERIAL
BODY	PVDF
BELLOWS	PTFE
BACKING PLATE	PTFE
PISTON	PVDF
END CAP	PVDF
SPRING	TEFLON COATED 316 STAINLESS STEEL
O-RINGS	VITON
MICRO ADJUST FERRULE	PTFE
MICRO ADJUST SET	PVDF WITH TEFLON NEEDLE



BOTTOM VIEW

SPECIFICATIONS	
Cv	2.8
MAX PRESSURE - INLET PORT PSIG (kPA)	75 (517)
MAX PRESSURE - OUTLET PORT PSIG (kPA)	45 (311)
ACTUATOR PRESSURE - MIN/MAX PSIG (kPA)	40/80 (276/552)
MAX TEMPERATURE - MEDIA °F (°C)	
PVC	140 (60)
POLYPROPYLENE	160 (78)
PVDF	212 (100)
PTFE	350 (177)
MAX TEMPERATURE - AMBIENT °F (°C)	140 (60)

TOLERANCES UNLESS OTHERWISE SPECIFIED

DYTEC

102 COMPASS PT. DR. STE. D.
ST. CHARLES, MO. 63301-4414
(636) 949-5600

MPV-2C8P-PVD-V-MA VALVE PHYSICAL DIMENSIONS

APPROVAL		DWN	MPJ	DATE	09/21/01	SCALE	1-1	CRWD
ENG	DATE	BY						BY
GA	DATE							
PATH = E:\CC\DYTEC\MBPVDMAP1.DRW		SHEET	1 of 1	44	0002162	30	01	