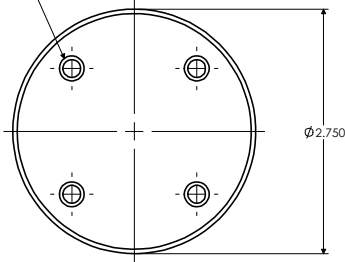
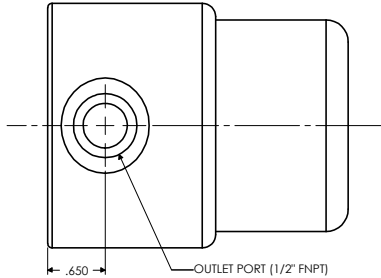


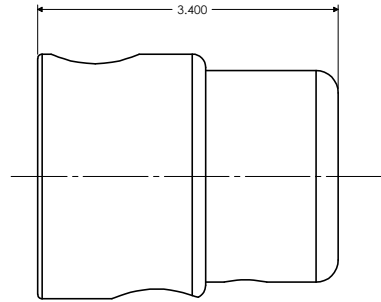
1/4-20
4 HOLES EQUALLY SPACED
ON 2.000" DIA BC



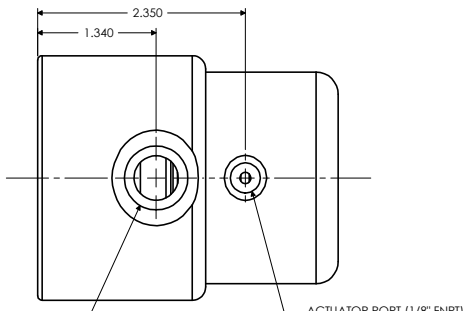
LEFT END VIEW



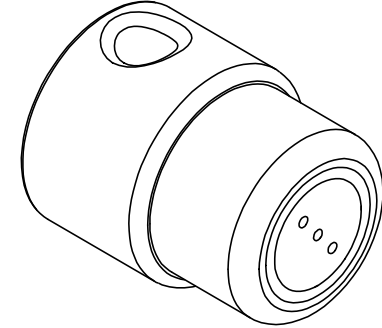
TOP VIEW



SIDE VIEW



BOTTOM VIEW



ISOMETRIC VIEW

SPECIFICATIONS	
Cv	2.8
MAX PRESSURE - INLET PORT PSIG (kPA)	75 (517)
MAX PRESSURE - OUTLET PORT PSIG (kPA)	45 (310)
ACTUATOR PRESSURE - MIN/MAX PSIG (kPA)	40/80 (276/552)
MAX TEMPERATURE - MEDIA °F (°C)	
PVC	140 (60)
POLYPROPYLENE	160 (71)
PVDF	212 (100)
PTFE	350 (177)
MAX TEMPERATURE - AMBIENT °F (°C)	140 (60)

PART	MATERIAL
BODY	POLYPROPYLENE
BELLOWS	PTFE
BACKING PLATE	PTFE
PISTON	POLYPROPYLENE
END CAP	POLYPROPYLENE
SPRING	302 STAINLESS STEEL
O-RINGS	VITON

TOLERANCES UNLESS OTHERWISE SPECIFIED	DYTEC 102 COMPASS PT. DR. STE. D. ST. CHARLES, MO. 63301-4414 (636) 949-5600		MPV-2C8P-POL-V VALVE PHYSICAL DIMENSIONS						
			APPROVAL	DATE	SCALE	CHKD BY			
ALL DIMENSIONS ARE IN INCHES	ENG	DATE	DWN BY	MPJ	DATE	9/5/01	SCALE	1=1	CHKD BY
PATH = E:\CC\DYTEC\2C8PVP2.DRW	IGA	DATE	SHEET	1 OF 1	44	000212	30	02	