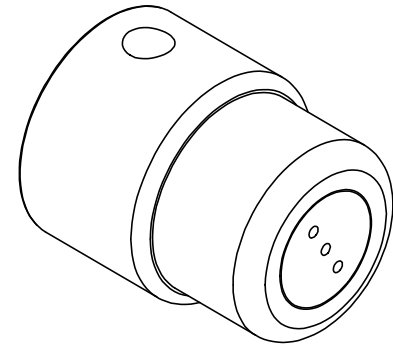
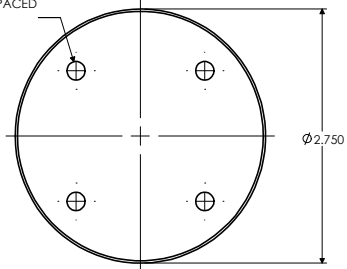


TOP VIEW

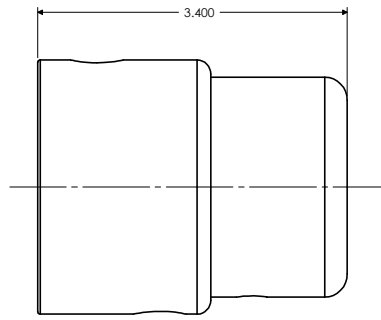


ISOMETRIC VIEW

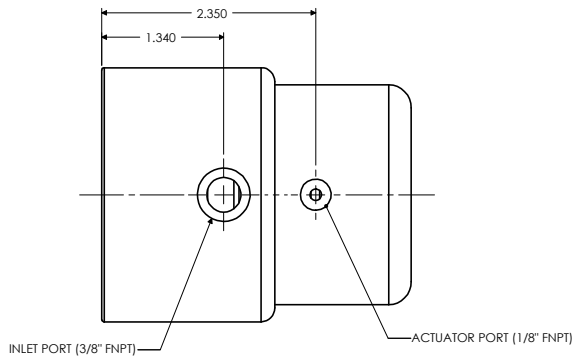
1/4-20  
4 HOLES EQUALLY SPACED  
ON 2.000" DIA BC



LEFT END VIEW



SIDE VIEW



BOTTOM VIEW

PART	MATERIAL
BODY	POLYPROPYLENE
BELLOWS	PTFE
BACKING PLATE	PTFE
PISTON	POLYPROPYLENE
END CAP	POLYPROPYLENE
SPRING	316 STAINLESS STEEL
O-RINGS	VITON

TOLERANCES UNLESS OTHERWISE SPECIFIED	<b>DYTEC</b>		102 COMPASS PT. DR. STE. D. ST. CHARLES, MO. 63301-4414 (636) 949-5600			
	MPV-2C6P-POL-V VALVE PHYSICAL DIMENSIONS					
APPROVAL	DATE	DWN BY	MPJ	DATE	SCALE	CHG BY
ENG	DATE	SHEET	1 OF 1	44	00216	30 01
PATH = E:\C\C\DYTEC\2C6PVP1.DRW						