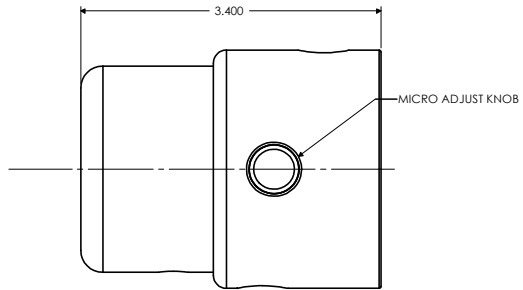
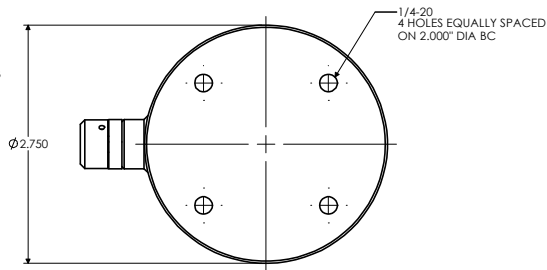


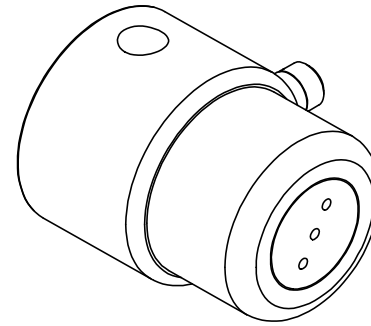
TOP VIEW



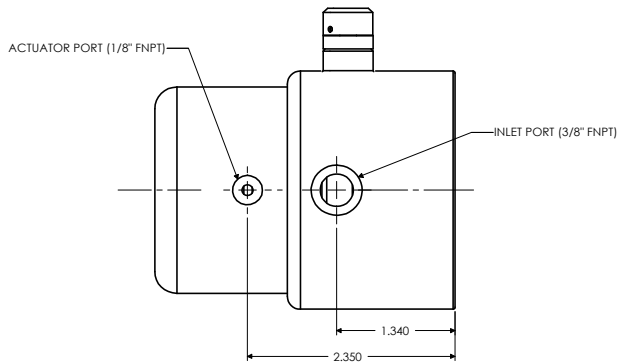
SIDE VIEW



RIGHT END VIEW



ISOMETRIC VIEW



BOTTOM VIEW

PART	MATERIAL
BODY	POLYPROPYLENE
BELLOWS	PTFE
BACKING PLATE	PTFE
PISTON	POLYPROPYLENE
END CAP	POLYPROPYLENE
SPRING	316 STAINLESS STEEL
O-RINGS	VITON
MICRO ADJUST FERRULE	PTFE
MICRO ADJUST SET	POYLPROPYLENE

TOLERANCES UNLESS OTHERWISE SPECIFIED		DYTEC		102 COMPASS PT. DR. STE. D. ST. CHARLES, MO. 63301-4414 (636) 949-5600	
MPV-2C6P-POL-V-MA VALVE PHYSICAL DIMENSIONS					
APPROVAL		OWN	MPJ	DATE	SCALE
ENG	DATE	BY		2/17/00	1=1
GA	DATE	SHEET	1 OF 1	44	00202
PATH = E:\CC\DYTEC\2C6APP11.DRW		DATE		30	01