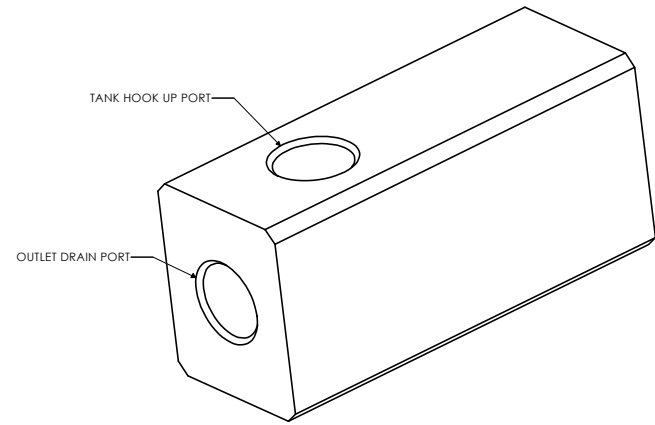
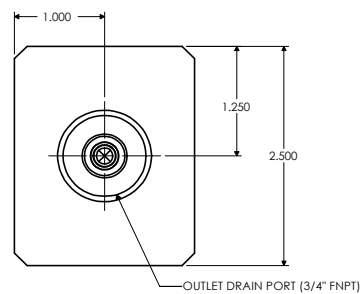


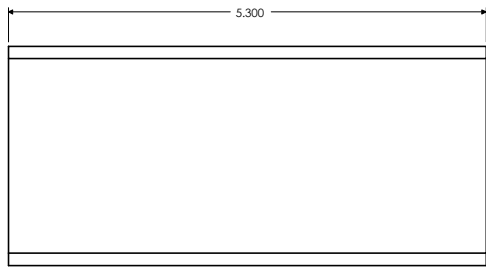
TOP VIEW



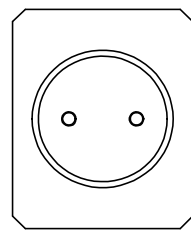
ISOMETRIC VIEW



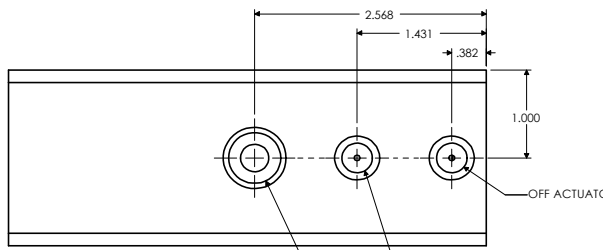
LEFT END VIEW



SIDE VIEW



RIGHT END VIEW



BOTTOM VIEW

PART	MATERIAL
BODY	PTFE
PISTON	PTFE
END CAP	PVDF
DISK	PTFE
O-RINGS	VITON
SPRING	302 STAINLESS STEEL

O-RING	QTY
AS568A-018	4
AS568A-022	1
AS568A-124	1

SPECIFICATIONS	
DILUTION RATIO	2:1 TO 20:1
VACUUM RATING - MIN/MAX PSIG (kPA)	21/27
ACTUATOR PRESSURE - MIN/MAX PSIG (kPA)	40/60 (276/414)
CITY WATER PRESSURE - MIN/MAX PSIG (kPA)	30/60 (207/414)
MAX TEMPERATURE - MEDIA °F (°C)	302 (150)
MAX TEMPERATURE °F (°C)	140 (60)

TOLERANCES UNLESS OTHERWISE SPECIFIED		DYTEC 102 COMPASS PT. DR. STE. D. ST. CHARLES, MO. 63301-4414 (636) 949-5600		ADV-XX12P-TFE-V-SR VALVE PHYSICAL DIMENSIONS	
ALL DIMENSIONS ARE IN INCHES					
APPROVAL	DATE	DWN BY	MP J	DATE 03/25/02	SCALE 1=1
ENG GA	DATE	SHEET	1 OF 1	44	0002358
PATH = E:\CC\DYTEC\ADV-XX12P-TFE-V-SR.SP.LD04RW		CHRD BY	30	00	