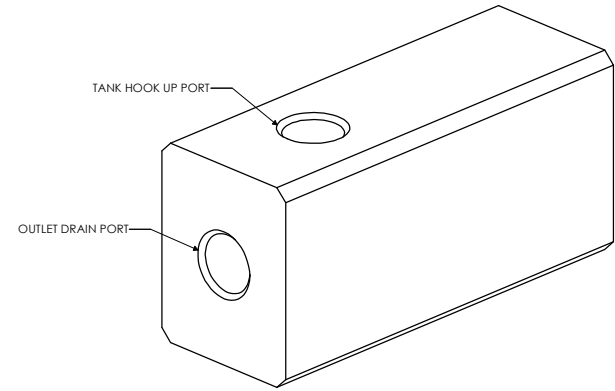
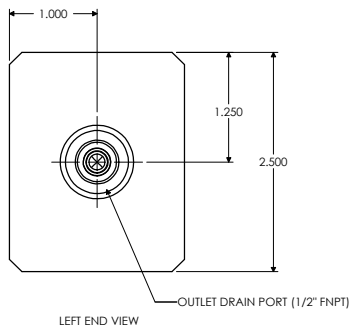


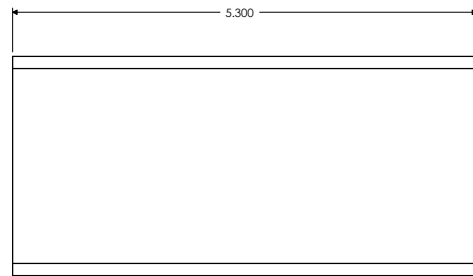
TOP VIEW



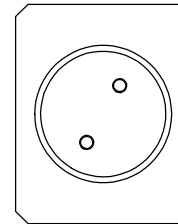
ISOMETRIC VIEW



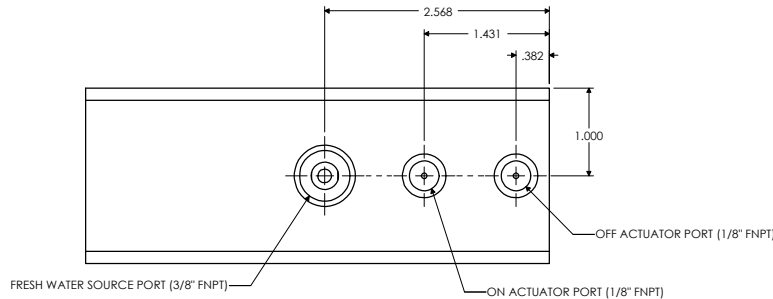
LEFT END VIEW



SIDE VIEW



RIGHT END VIEW



BOTTOM VIEW

PART	MATERIAL
BODY	PTFE
PISTON	PTFE
END CAP	PVDF
DISK	PTFE
O-RINGS	VITON

SPECIFICATIONS	
DILUTION RATIO	2:1 TO 20:1
VACUUM RATING - MIN/MAX "HG	21/27
ACTUATOR PRESSURE - MIN/MAX PSIG (kPA)	40/60 (276/414)
CITY WATER PRESSURE - MIN/MAX PSIG (kPA)	30/60 (207/414)
MAX TEMPERATURE - MEDIA °F ( °C)	302 (150)
MAX TEMPERATURE - AMBIENT °F ( °C)	140 (60)

TOLERANCES UNLESS OTHERWISE SPECIFIED					
ALL DIMENSIONS ARE IN INCHES					
ENG	DATE	DWN BY	MPJ	DATE	9/5/01
QA	DATE	SHEET	1	OF 1	
PART = E:\C.C\DYTEC\ADV\XXX08P1.DRW		44		0002282	30 01

**DYTEC** 102 COMPASS PT. DR. STE. D.  
ST. CHARLES, MO. 63301-4414  
(636) 949-5600

ADV-XX08P-TFE-V VALVE PHYSICAL DIMENSIONS

APPROVAL	DWN BY	MPJ	DATE	9/5/01	SCALE	1=1	CHG BY	
	ENG	DATE	SHEET	1	OF 1		30	01