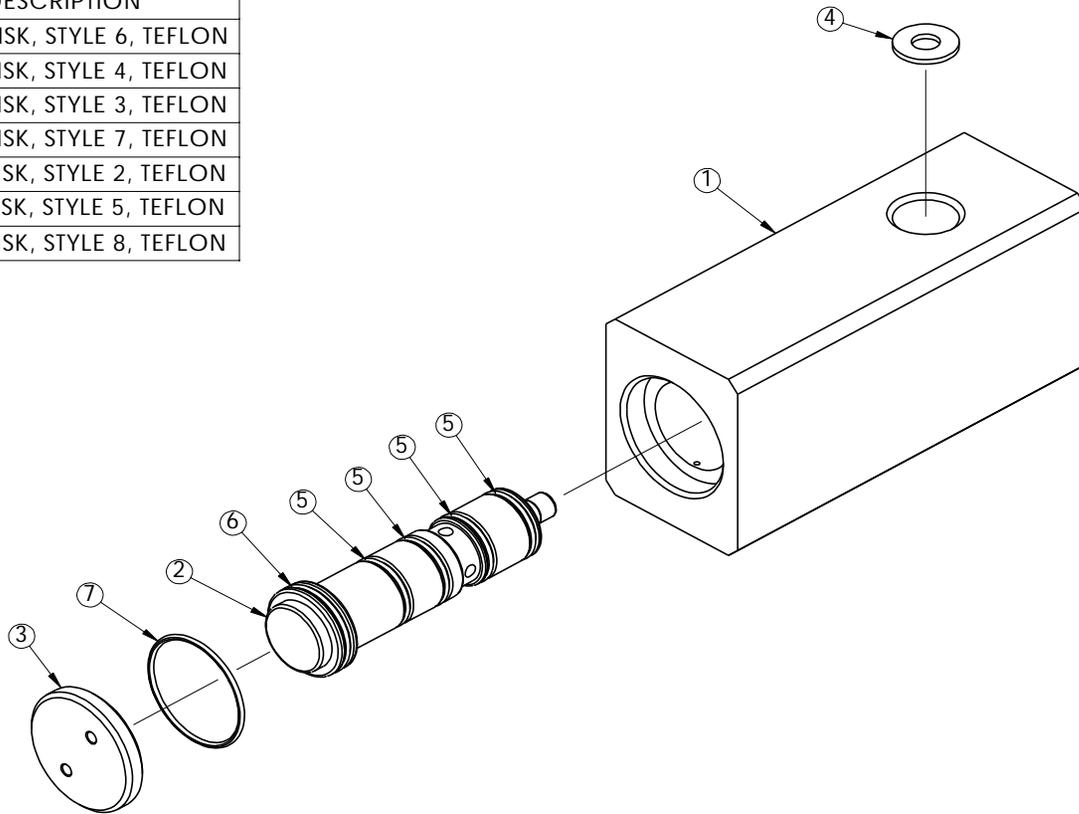


DILUTION RATIO	DYTEC PART NUMBER	DESCRIPTION
2:1	VDSK06Z-T	VALVE DISK, STYLE 6, TEFLON
3:1	VDSK04Z-T	VALVE DISK, STYLE 4, TEFLON
5:1	VDSK03Z-T	VALVE DISK, STYLE 3, TEFLON
6:1	VDSK07Z-T	VALVE DISK, STYLE 7, TEFLON
10:1	VDSK02Z-T	VALVE DISK, STYLE 2, TEFLON
15:1	VDSK05Z-T	VALVE DISK, STYLE 5, TEFLON
20:1	VDSK08Z-T	VALVE DISK, STYLE 8, TEFLON



NOTE: LUBRICANT TO BE USED IS FEL-PRO 51360 SILICONE LUBRICANT.

ITEM	DYTEC PART NUMBER	DESCRIPTION	QTY
1	VBDY16Z-T	VALVE BODY, STYLE 16, TEFLON	1
2	VPST03Z-T	VALVE PISTON, STYLE 3, TEFLON	1
3	VENC02Z-B	VALVE END CAP, STYLE 2, PVDF	1
4	SEE TABLE	VALVE DISK, STYLE XX, TEFLON	1
5	HR01-A018-VT	VITON AS568A-018 O-RING	4
6	HR01-A022-VT	VITON AS568A-022 O-RING	1
7	HR01-A124-VT	VITON AS568A-124 O-RING	1

TOLERANCES UNLESS OTHERWISE SPECIFIED		<b>DYTEC</b>		102 COMPASS PT. DR. STE. D. ST. CHARLES, MO. 63301-4414 (636) 949-5600	
ADV-XX08P-TFE-V VALVE ASSEMBLY					
APPROVAL		BY	MPJ	DATE	01/11/02
ENG	DATE				SCALE 1-1
GA	DATE	SHEET	1 OF 1	41	0002335
PASH - E:\C\C\DYTEC\ADVXX08AC.SLDDRW					30 00